

Type: Purivox DA-RC System


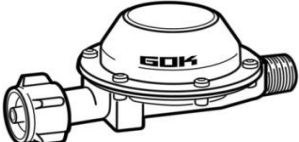
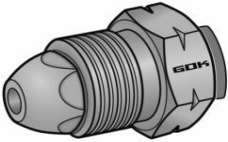



General data	
Part. No.	111312
Name:	Purivox DA-RC System <b>Double Airport-Remote Controlled</b>
Protection area:	6 ha (60000 m <sup>2</sup> )

Technical data	
Weight	48 kg
Case ;without solar panel and blast tubes	
Length	1140mm
Width	503 mm
Height	382 mm
Blast tubes	
Number of blast tubes	2
Length	950 mm
Diameter	Ø100 mm
Solar Panel (build up)	
Length	244 mm
Width	315 mm
Height	245 mm
Material details	
Case	Stainless steel - 1.4301
Blast tubes	Steel - 1.0036
Solar panel frame	Aluminum
Gas type / Gas cylinder	
Gas type	LPG - Liquefied Petroleum Gas
CAS-number	74-98-6
Rec. gas cylinder size	Ø30cm x 60cm
Gas cylinder type	Forklift gas bottle - Lying

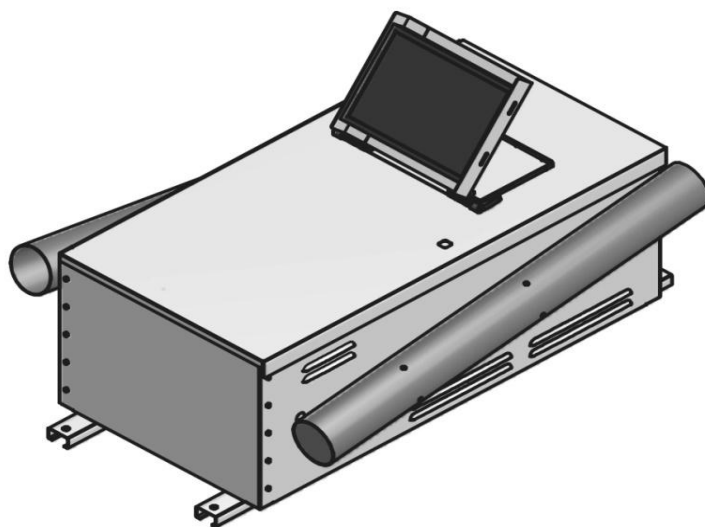
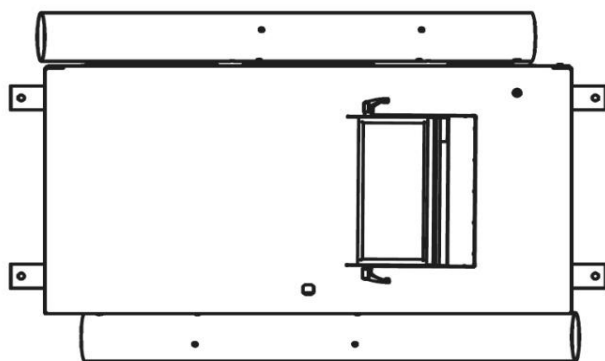
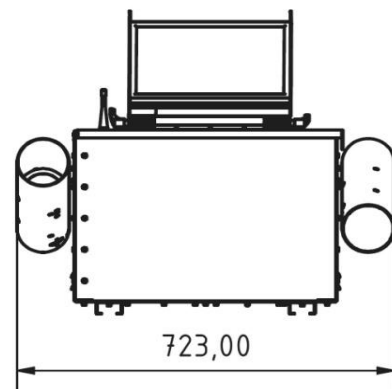
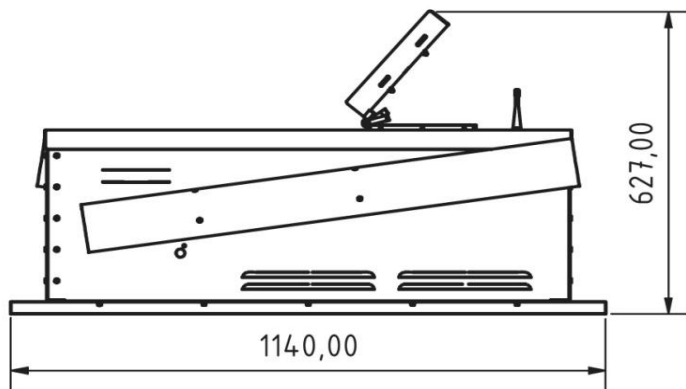


<b>Transmitter frequency details</b>	
Purivox DA-RC System transmitter	
Frequency band	868 Mhz
Purivox TX-H1 transmitter	
Frequency band	868 Mhz

<b>Power supply details</b>	
Solar panel output	5,5 W
Solar panel type	Amorph panel
Battery details	12V - 15Ah
Battery type	6 cells Lead-fleece battery

<b>Gas cylinder connector / Gas regulator</b>	
Gas regulator KLF	(part no.101630)
	
Gas regulator POL	(part no. 101610)
	
Gas regulator Shell	(part no. 101620)
	

<b>Transport / Transport box</b>	
Units per palette	1
Palette size/weight	1,2m x0,8m x 1,0m - 110kg (incl. unit)
Palette	IPPC



Purivox DA-RC System

**purivox**  
AIRPORT BIRD CONTROL DEVICES